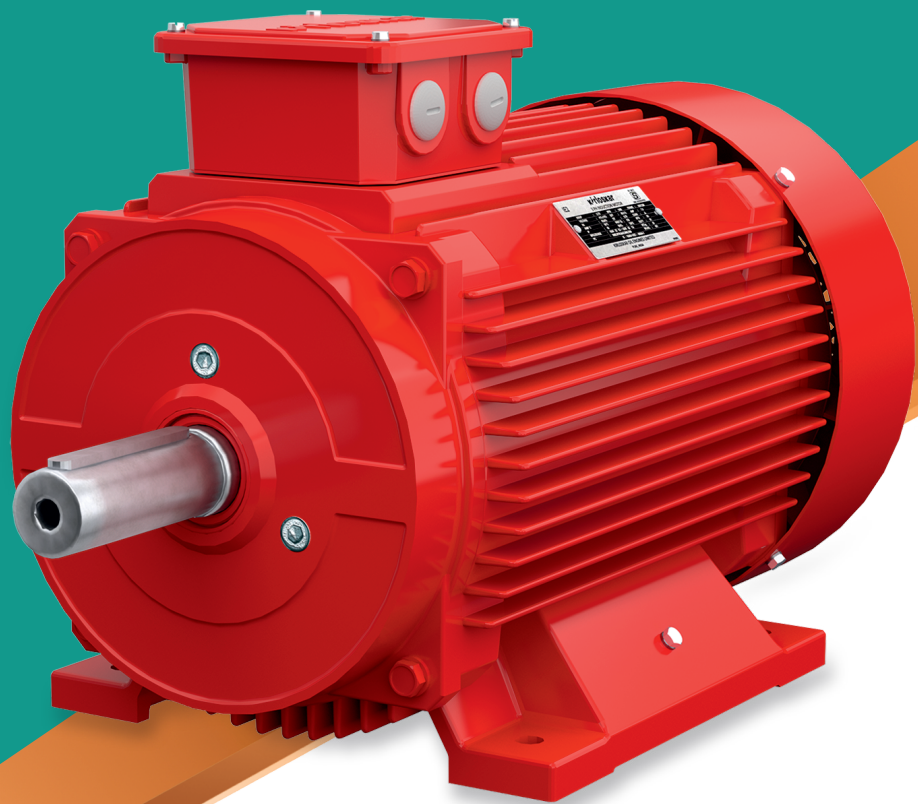


PRODUCT CATALOG

LOW VOLTAGE 3-PHASE FIRE FIGHTING INDUCTION MOTORS



kirloskar
motors

Performance Beyond Expectations

KIRLOSKAR OIL ENGINES LIMITED

A Kirloskar Group Company

A Fire Fighting system is probably the most important of all Industrial services, as its aim is to protect the human life & industrial property, strictly in that order. The National Safety Council (NSC) of India keeps an eye on the Safety Rules & Regulations.

Fire pump is an essential lifeguard for fireworks industries, petrochemical industries, gas plants, commercial complex, high-rise buildings, apartments, hotels, hospitals, schools & colleges, godowns, airports, ports, power stations, transformer stations etc.

To meet the diversified needs of our customers we have designed, tested & manufactured fire fighting motors. Fire fighting motors consists of Jockey motor & Electrical main motor.

Performance Data - IE2 Efficiency Fire Fighting Induction Motors (Cast Iron):

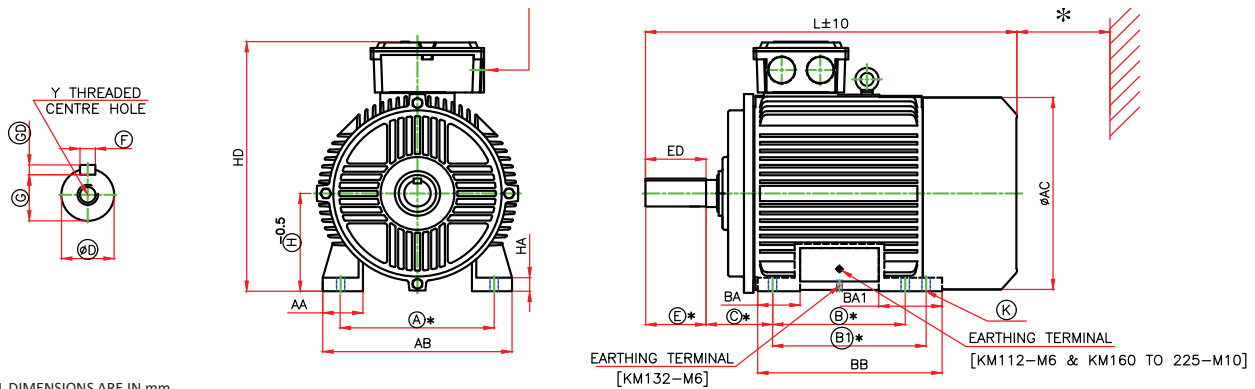
POLE	2 (3000 RPM)	AMBIENT	50 °C	INSULATION CLASS	F
VOLTAGE	415 ± 10%	DUTY	S1	THERMAL CLASS	F
FREQUENCY	50 ± 5%	EFFICIENCY CLASS AS PER IEC60034-30-1:2014, IS 12615:2018			
COMBINED VARIATION	10%				

Product Code	Output	Frame Size	Rated Speed	FLC	FLT	% Efficiency			Power Factor			Starting Current	Starting Torque	Pull Out Torque	GD ²	Net Weight
						FL	3/4 FL	1/2 FL	FL	3/4 FL	1/2 FL					
KM2.7T50.AJC.B03.TSN	7.5	KM112M	2875	13.5	2.54	88.1	87.5	85.0	0.88	0.85	0.78	650	200	250	0.043	52
KM2.9T30.AAC.B03.TSN	9.3	KM132S	2900	16.6	3.12	88.9	88.9	87.0	0.88	0.85	0.80	650	200	250	0.077	72
KM2.11T0.AKC.B03.TSN	11	KM132M	2860	19.5	3.75	89.4	89.4	88.0	0.88	0.86	0.82	650	225	250	0.092	82
KM2.15T0.AKC.B03.TSN	15	KM132M	2900	26.6	5.04	90.3	90.3	88.5	0.87	0.83	0.75	700	250	300	0.113	86
KM2.18T5.ABC.B03.TSN	18.5	KM160M	2900	31	6.21	90.9	90.9	90.0	0.90	0.88	0.85	650	200	250	0.186	132
KM2.22T0.ALC.B03.TSN	22	KM160L	2915	37	7.35	91.3	91.3	90.5	0.90	0.88	0.85	650	200	250	0.231	146
KM2.30T0.ACC.B03.TSN	30	KM180M	2930	51	9.97	92.0	91.0	90.0	0.89	0.86	0.81	650	180	250	0.646	184
KM2.37T0.AMC.B03.TSN	37	KM180L	2945	63	12.24	92.5	91.0	89.0	0.88	0.85	0.80	650	200	250	0.790	209
KM2.45T0.ANC.B03.TSN	45	KM200L	2945	73	14.88	92.9	92.9	92.0	0.92	0.90	0.86	650	200	250	0.856	269
KM2.55T0.AQC.B03.TSN	55	KM225M	2955	89	18.13	93.2	92.5	91.0	0.92	0.90	0.86	650	200	250	0.995	288
KM2.75T0.ARC.B03.TSN	75	KM250M	2955	122	24.72	93.8	93.2	92.0	0.91	0.89	0.85	650	180	250	2.181	446
KM2.90T0.ARC.B03.TSN	90	KM250M	2960	148	29.61	94.1	94.1	93.0	0.90	0.89	0.85	650	180	250	2.459	470

Bearing Reference (2P):

Sr. No.	Frame	DE	NDE
1	112M	6206ZZ	6205ZZ
2	132S / M	6308ZZ	6208ZZ
3	160M / L	6309ZZ	6209ZZ
4	180M / L	6310ZZ	6310ZZ
5	200L	6312ZZ	6312ZZ
6	225M	6313ZZ	6312ZZ
7	250M	6315 C4	6315 C4

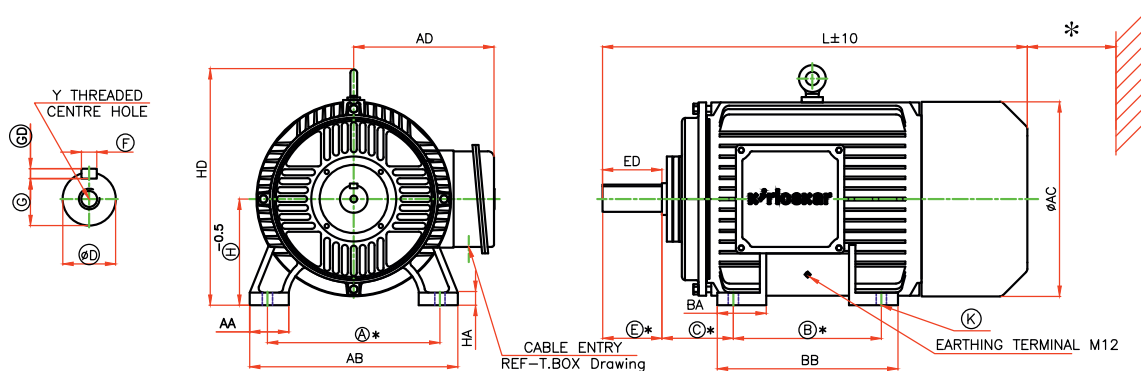
Dimensional Drawing For TEFC, Foot Mounted (B3) Motors: Frames: KM112 to KM225 (2P)



ALL DIMENSIONS ARE IN mm
RINGED DIMENSIONS ARE AS PER IS:1231/IEC:60072-1
*TOLERANCES ON MANDATORY DIMENSIONS ARE AS PER IS:1231/IEC:60072

FRAME	FOOT FIXING										OVER ALL					SHAFT						
	A	B	B1	C	H TOL.	AA	AB	BA	BA1	BB	K	AC	L	HD	HA	D TOL.	E	ED	F TOL.	GD TOL.	G	Y
KM112M	190	140	--	70	112/111.5	50	235	54	54	180	12/12.5	225	425	288	14	28.009/27.996	60	60	8/7.964	7.0/6.9	24.0/23.8	M10X30
KM132S	216	140	--	89	132/131.5	55	260	60	60	178	12/12.5	258	500	329	18	38.018/38.002	80	80	10/9.964	8.0/7.9	33.0/32.8	M12X37
KM132M	216	178	--	89	132/131.5	55	260	60	60	214	12/12.5	258	540	329	18	38.018/38.002	80	80	10/9.964	8.0/7.9	33.0/32.8	M12X37
KM160M/L	254	210	254	108	160/159.5	70	306	102	102	302	15/15.5	314	665	417	22	42.018/42.002	110	100	12/11.957	8.0/7.9	37.0/36.9	M16x45
KM180M	279	241	279	121	180/179.5	75	345	78	118	335	15/15.5	352	675	460	25	48.018/48.002	110	110	14/13.957	9.0/8.9	42.5/42.3	M16x45
KM180L	279	279	--	121	180/179.5	75	360	--	--	335	15/15.5	352	715	460	28	48.018/48.002	110	110	14/13.957	9.0/8.9	42.5/42.3	M16x45
KM200L	318	305	--	133	200/199.5	95	405	95	95	380	19/19.5	402	760	500	25	55.030/55.011	110	110	16/15.957	10.0/9.9	49.0/48.8	M20X53
KM225M	356	286	311	149	225/224.5	95	435	88	105	380	19/19.5	402	800	525	25	55.030/55.011	110	110	16/15.957	10.0/9.9	49.0/48.8	M20X53

Dimensional Drawing For TEFC, Foot Mounted (B3) Motors: Frame: KM250 (2P)



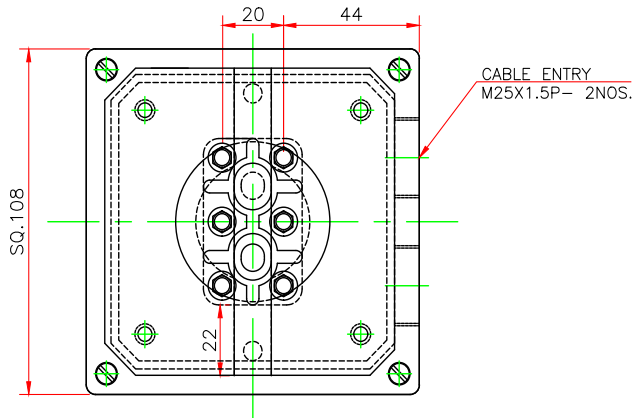
ALL DIMENSIONS ARE IN mm
RINGED DIMENSIONS ARE AS PER IS:1231/IEC:60072-1
*TOLERANCES ON MANDATORY DIMENSIONS ARE AS PER IS:1231/IEC:60072

FRAME	FOOT FIXING										OVER ALL					SHAFT						
	A	B	B1	C	H TOL.	AA	AB	BA	BB	K	AC	L	HD	HA	AD	D TOL.	E	ED	F TOL.	GD TOL.	G	Y
KM250M	406	349	--	168	250/249.5	95	490	115	430	24/24.5	460	1000	555	30	330	60.030/60.011	140	140	18/17.957	11/10.9	53/52.8	M20X53

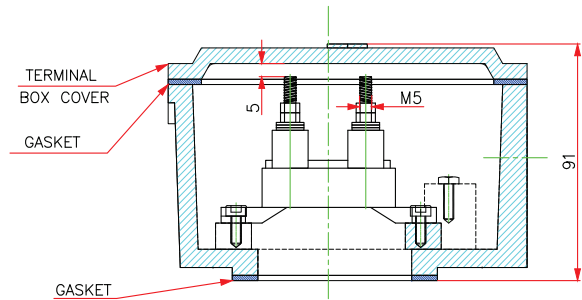
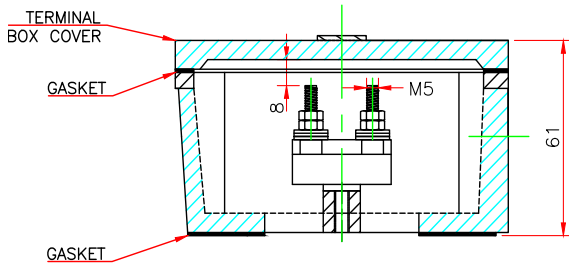
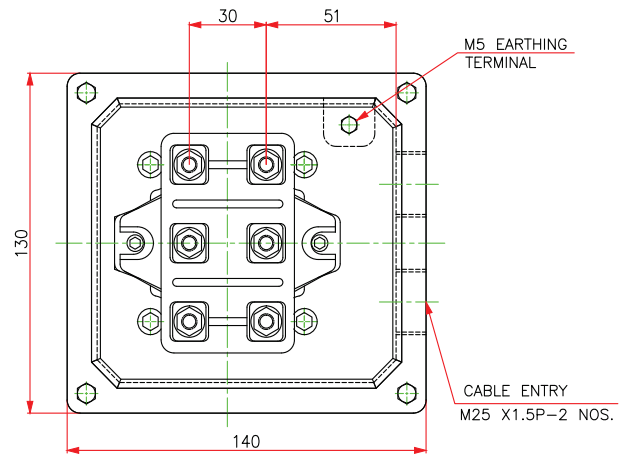
*100 mm MINIMUM DISTANCE TO BE MAINTAINED BY THE USER FOR EFFECTIVE COOLING.

Terminal Box Arrangement:

Frames: KM112 to KM132



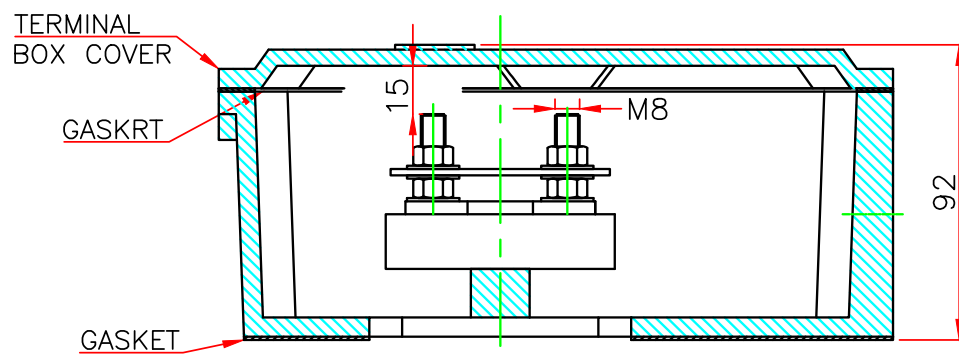
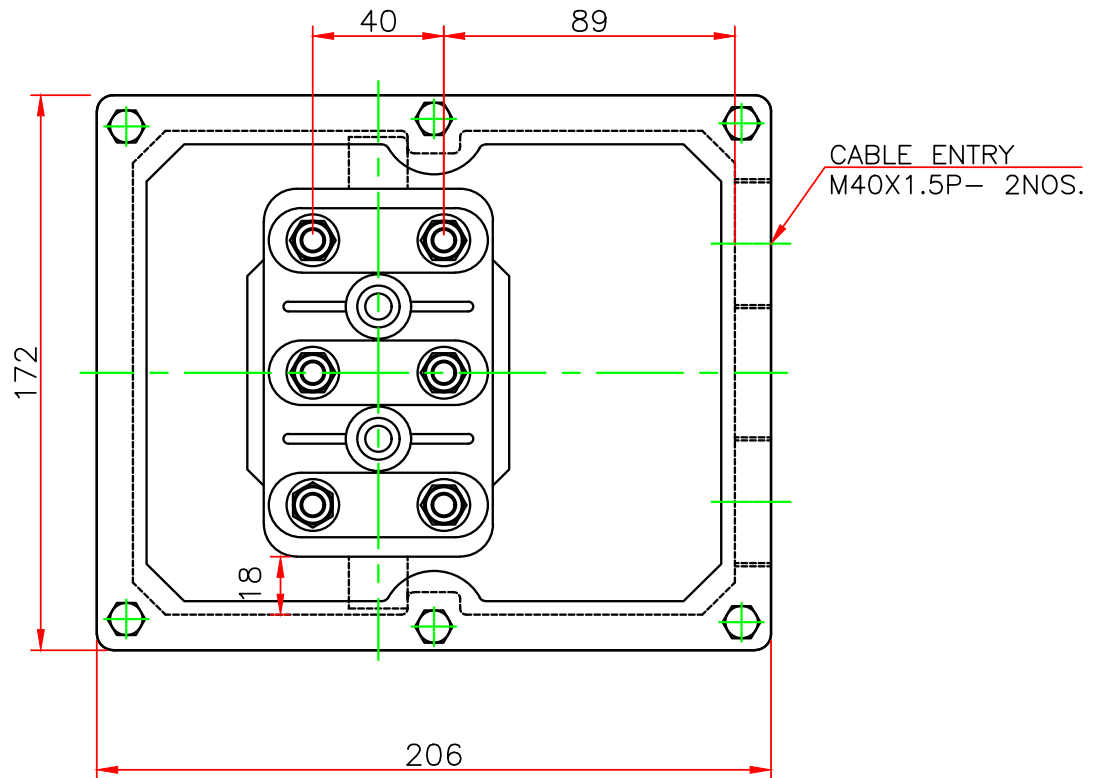
Frame: KM160



NOTES:

- * TERMINAL BOX CAN BE ROTATED IN 360° IN STEPS OF 90°.
- * CABLE GLANDS ARE NOT IN KIRLOSKAR SCOPE OF SUPPLY.

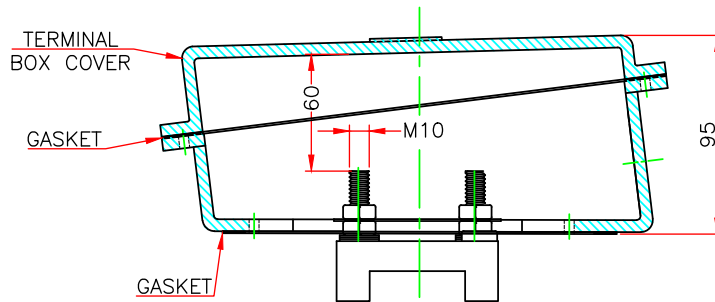
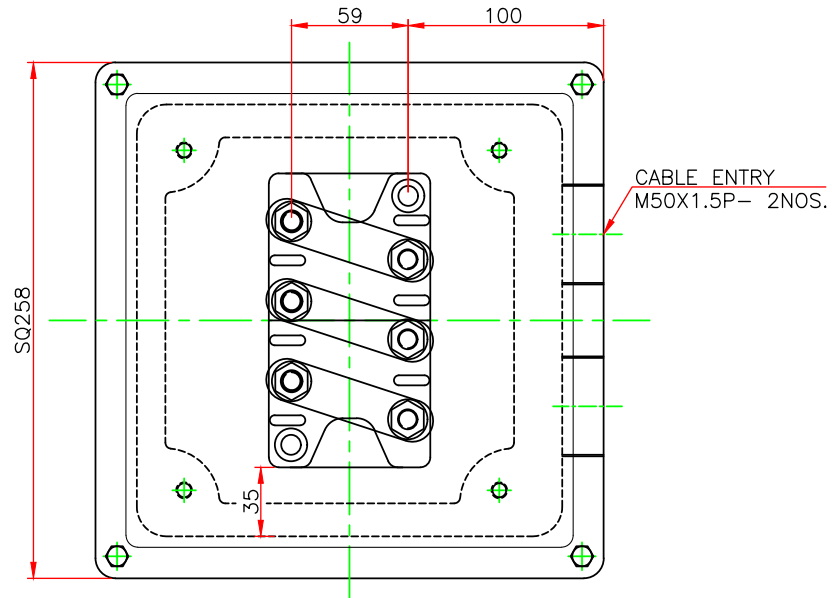
Terminal Box Arrangement: Frames: KM180 to KM225



NOTES:

- * TERMINAL BOX CAN BE ROTATED IN 360° IN STEPS OF 90°.
- * CABLE GLANDS ARE NOT IN KIRLOSKAR SCOPE OF SUPPLY.

Terminal Box Arrangement: Frame: KM250



NOTES:

- * TERMINAL BOX CAN BE ROTATED IN 360° IN STEPS OF 90°.
- * CABLE GLANDS ARE NOT IN KIRLOSKAR SCOPE OF SUPPLY.

Note:

A series of horizontal dotted lines spanning the width of the page, intended for handwritten notes.



kirloskar motors

Performance Beyond Expectations

For more information, please contact us at “head.motors@kirloskar.com”

kirloskar
Oil Engines



www.kirloskaroilengines.com

KIRLOS KAR OIL ENGINES LIMITED

A Kirloskar Group Company

Laxmanrao Kirloskar Road, Khadki,
Pune 411 003 INDIA.

 **960 411 4411 / 960 411 8811**

Stamp of Authorised
Representative

Mark bearing word 'Kirloskar' in any form as a suffix or prefix is owned by Kirloskar Proprietary Ltd. and Kirloskar Oil Engines Ltd. is the Permitted User.
This Catalog is copyrighted and may not be reproduced in any form not even parts of it, without previous written permission by copyright owners, Kirloskar Oil Engines Ltd.
Product improvement is a continuous process. Kindly contact Kirloskar for latest information.
The product images are for illustration purposes only. It may not be the exact replica of the product.